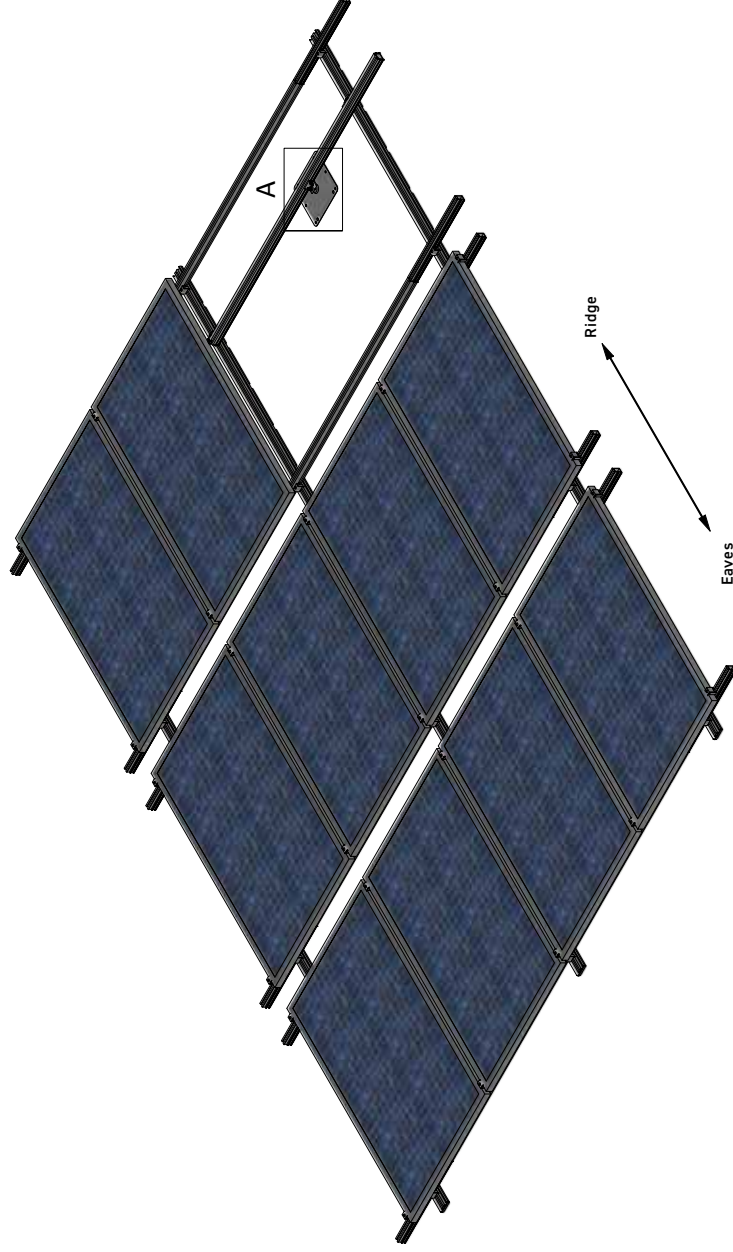
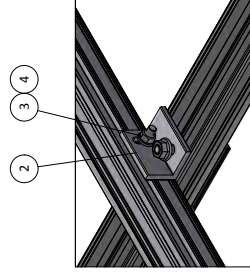
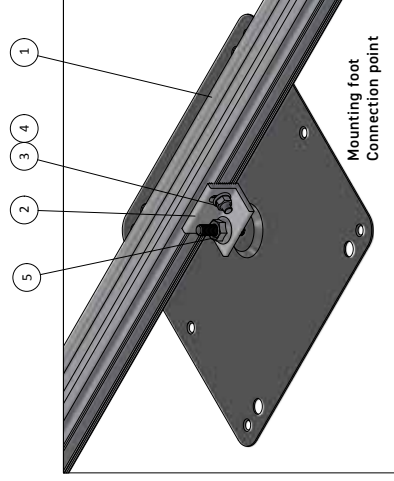
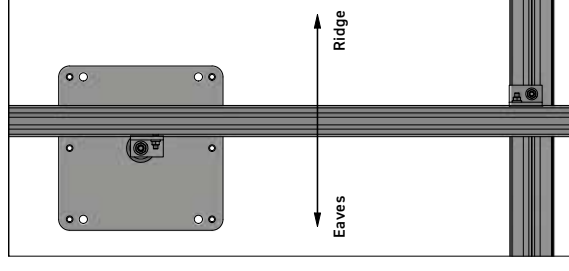


TECHNICAL DATA SHEET

PMT FLAT DIRECT Connection to base rail



Plan view



COMPONENT LIST

No.	Article-No.	Title	Component
1	05 x 52215-1752	FD Fa Typ 3300	Rail mounting foot-connection ST-HK 9/40
2	3 x 52215-1235		Angle bracket 60mm M12 complete
3	2 x 52215-1742	HKS M10x30	
4	2 x 52215-1398		Locking nut M10
5	1 x 52215-1320		Locking nut M12